

SHIMANO

SEDONA



SE-C3000HGFI

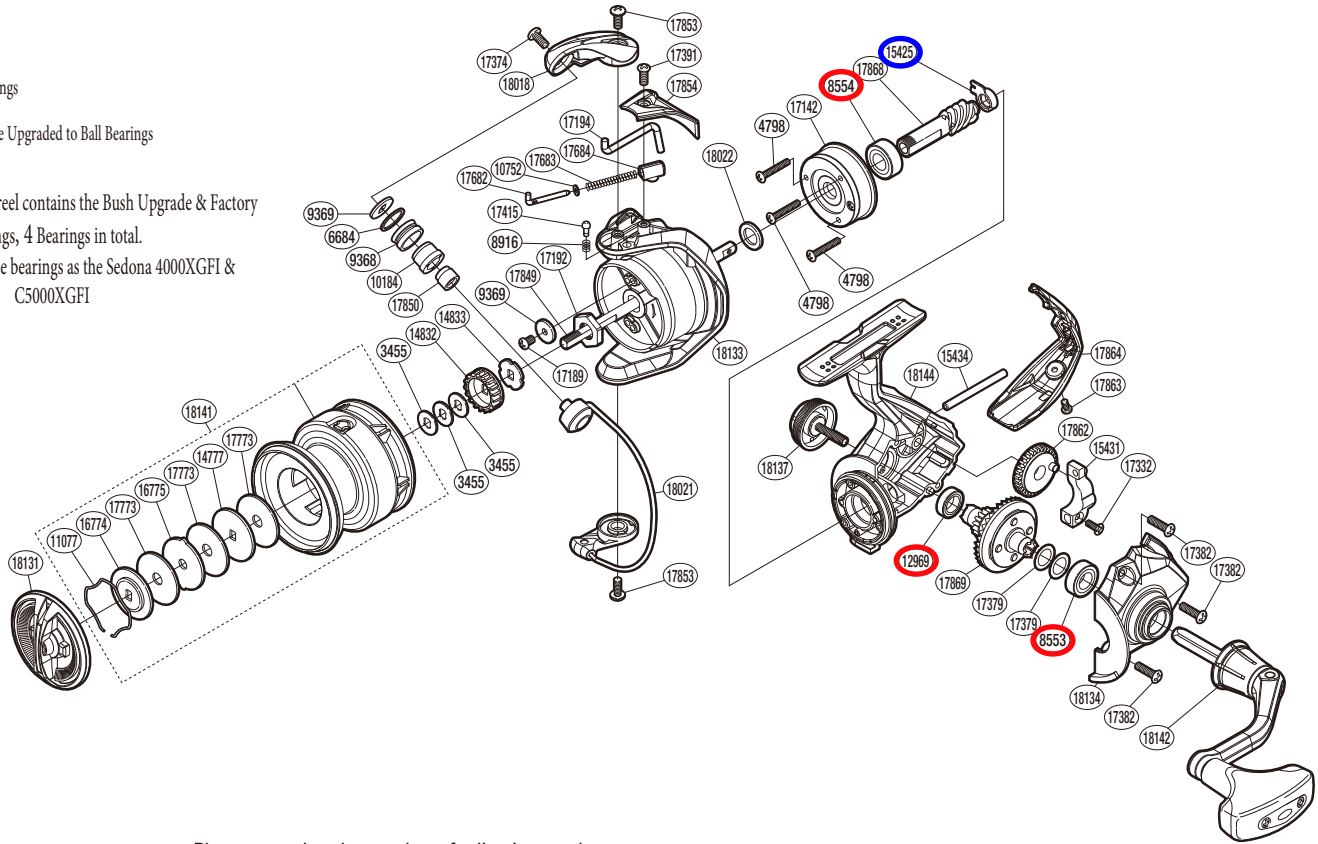
LEGEND

Factory Ball Bearings

Bushes that can be Upgraded to Ball Bearings

Our Bearing Kit for this reel contains the Bush Upgrade & Factory bearings, 4 Bearings in total.

This reel has the same bearings as the Sedona 4000XGFI & C5000XGFI



Please note that the number of adjusting washers may not be the same as shown in the exploded views. (51SB43E032X) (Adjustment will vary with each individual product.)

Part No.	Description	Part No.	Description	Part No.	Description
RD 3455	Spool Washer	RD16774	Key Washer	RD17853	Screw
RD 4798	Screw	RD16775	Eared Washer	RD17854	Bail Spring Cover
RD 6684	Line Roller Spacer	RD17142	Roller Clutch Assembly	RD17862	Oscillating Gear
RD 8553	Ball Bearing	RD17189	Screw	RD17863	Screw
RD 8554	Ball Bearing	RD17192	Rotor Nut	RD17864	Rear Protector
RD 8916	Click Spring	RD17194	Bail Trip Lever	RD17868	Pinion Gear
RD 9368	Line Roller	RD17332	Screw	RD17869	Drive Gear
RD 9369	Washer	RD17374	Screw	RD18018	Bail Arm
RD10184	Line Roller Bushing	RD17379	Washer	RD18021	Bail Assembly
RD10752	Bail Spring Guide A Support	RD17382	Screw	RD18022	Washer
RD11077	Drag Washers Retainer	RD17391	Screw	RD18131	Drag Knob
RD12969	Ball Bearing	RD17415	Click Pin	RD18133	Rotor
RD14777	Key Washer	RD17682	Bail Spring Guide A	RD18134	Side Cover
RD14832	Spool Support A	RD17683	Bail Spring	RD18137	Handle Screw Cap
RD14833	Spool Support B	RD17684	Bail Spring Seat	RD18141	Spool Assembly
RD15425	Pinion Gear Bushing	RD17773	Drag Washer	RD18142	Handle Assembly
RD15431	Oscillating Slider	RD17849	Main Shaft	RD18144	Body
RD15434	Oscillating Guide	RD17850	Line Roller Collar		