

SHIMANO

STRADIC S A-RB



ST-C5000XGFK

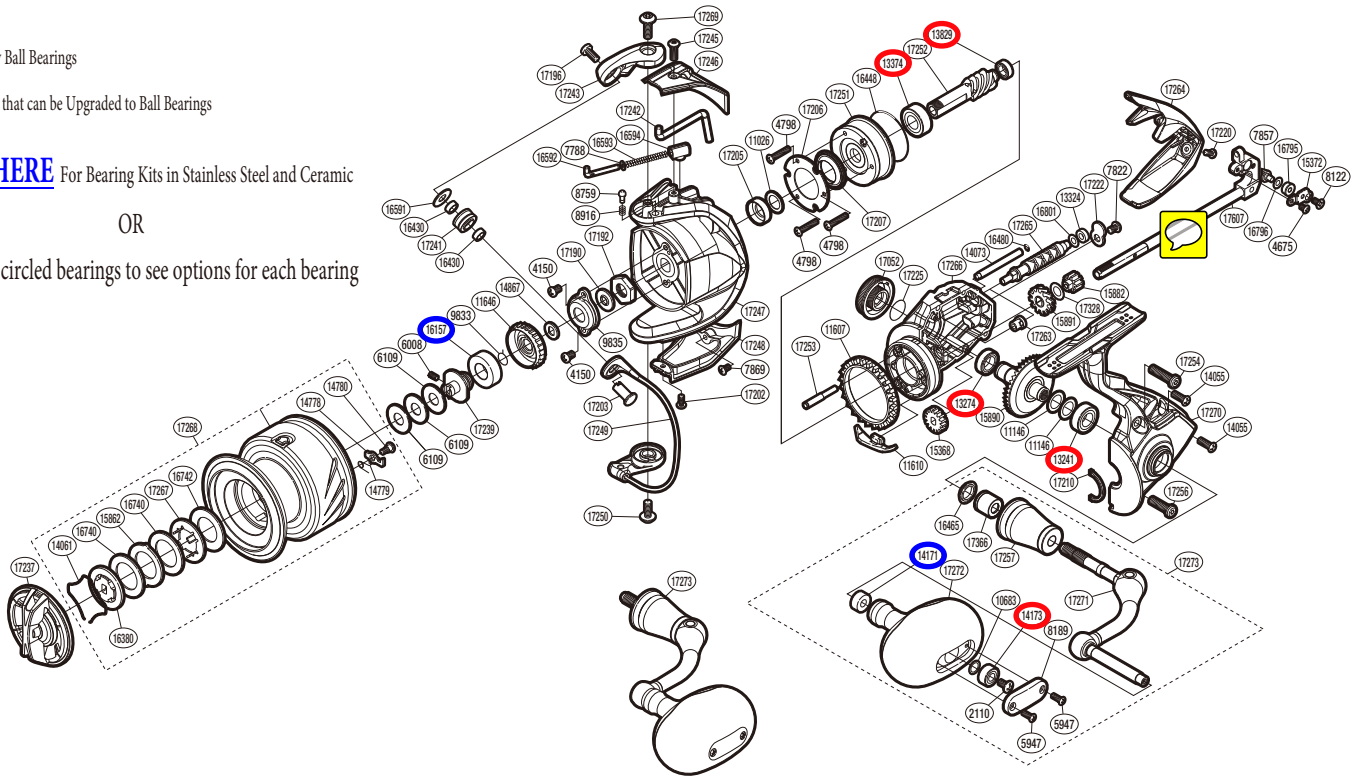
LEGEND

- Factory Ball Bearings
- Bushes that can be Upgraded to Ball Bearings

[CLICK HERE](#) For Bearing Kits in Stainless Steel and Ceramic

OR

Click on the circled bearings to see options for each bearing



Please note that the number of adjusting washers may not be the same as shown in the exploded views. (Adjustment will vary with each individual product.)

(51SE455011U)

| Part No. | Description | Part No. | Description | Part No. | Description |
|----------|--------------------------|----------|----------------------------|----------|-------------------------|
| RD 2110 | Screw | RD14779 | Drag Click Spring | RD17220 | Screw |
| RD 4150 | Screw | RD14780 | Screw | RD17222 | Worm Shaft Retainer |
| RD 4675 | Screw | RD14867 | Spool Support | RD17225 | O Ring |
| RD 4798 | Screw | RD15368 | Idle Gear | RD17237 | Drag Knob |
| RD 5947 | Screw | RD15372 | Oscillating Pawl Cover | RD17239 | Bearing Bushing |
| RD 6008 | Set Screw | RD15862 | Eared Washer | RD17241 | Line Roller |
| RD 6109 | Spool Washer | RD15882 | Idle Gear B (Small) | RD17242 | Bail Trip Lever |
| RD 7788 | Spring Guide (A) Support | RD15890 | Drive Gear | RD17243 | Bail Arm |
| RD 7822 | Screw | RD15891 | Idle Gear B (Large) | RD17245 | Screw |
| RD 7857 | Oscillating Pawl | RD16157 | Spool Bushing | RD17246 | Bail Spring Cover |
| RD 7869 | Screw | RD16380 | Key Washer | RD17247 | Rotor |
| RD 8122 | Screw | RD16430 | Bearing Spacer | RD17248 | Bail Hold Support Guard |
| RD 8189 | Handle Knob I.D. Plate | RD16448 | O Ring | RD17249 | Bail Assembly |
| RD 8759 | Click Pin | RD16465 | Handle Shaft Seal | RD17250 | Screw |
| RD 8916 | Click Spring | RD16480 | O Ring | RD17251 | Roller Clutch Assembly |
| RD 9833 | Ratchet Spring | RD16591 | Line Roller Plate | RD17252 | Pinion Gear |
| RD 9835 | Rotor Nut Lock Plate | RD16592 | Bail Spring Guide A | RD17253 | Idle Gear B Shaft |
| RD10683 | Washer | RD16593 | Bail Spring | RD17254 | Screw |
| RD11026 | Washer | RD16594 | Bail Spring Seat | RD17256 | Screw |
| RD11146 | Washer | RD16740 | Drag Washer | RD17257 | Handle Shaft Cover |
| RD11607 | Friction Ring | RD16742 | Drag Washer | RD17263 | Worm Bushing (Front) |
| RD11610 | Bail Trip Strike | RD16795 | Oscillating Slider Bushing | RD17264 | Rear Protector |
| RD11646 | Drag Click Ratchet | RD16796 | Spacer | RD17265 | Worm Shaft |
| RD13241 | Ball Bearing | RD16801 | Washer | RD17266 | Body |
| RD13274 | Ball Bearing | RD17052 | Handle Screw Cap | RD17267 | Key Washer |
| RD13324 | Worm Bushing | RD17190 | Bearing Water Proof | RD17268 | Spool Assembly |
| RD13374 | Ball Bearing | RD17192 | Rotor Nut | RD17269 | Screw |
| RD13829 | Ball Bearing | RD17196 | Screw | RD17270 | Side Cover |
| RD14055 | Screw | RD17202 | Screw | RD17271 | Handle Shank Assembly |
| RD14061 | Drag Washers Retainer | RD17203 | Line Roller Support | RD17272 | Handle Knob Assembly |
| RD14073 | Oscillating Guide | RD17205 | Rotor Ring | RD17273 | Handle Assembly |
| RD14171 | Handle Knob Bushing | RD17206 | Roller Clutch Reinforce | RD17328 | Washer |
| RD14173 | Ball Bearing | RD17207 | Roller Clutch Water Proof | RD17366 | Handle Shaft Cover B |
| RD14778 | Drag Click | RD17210 | Flange Water Proof | RD17607 | Main Shaft Assembly |