

# SHIMANO

## STRADIC C14+ SA-RB



## STCI4-2500HGFB

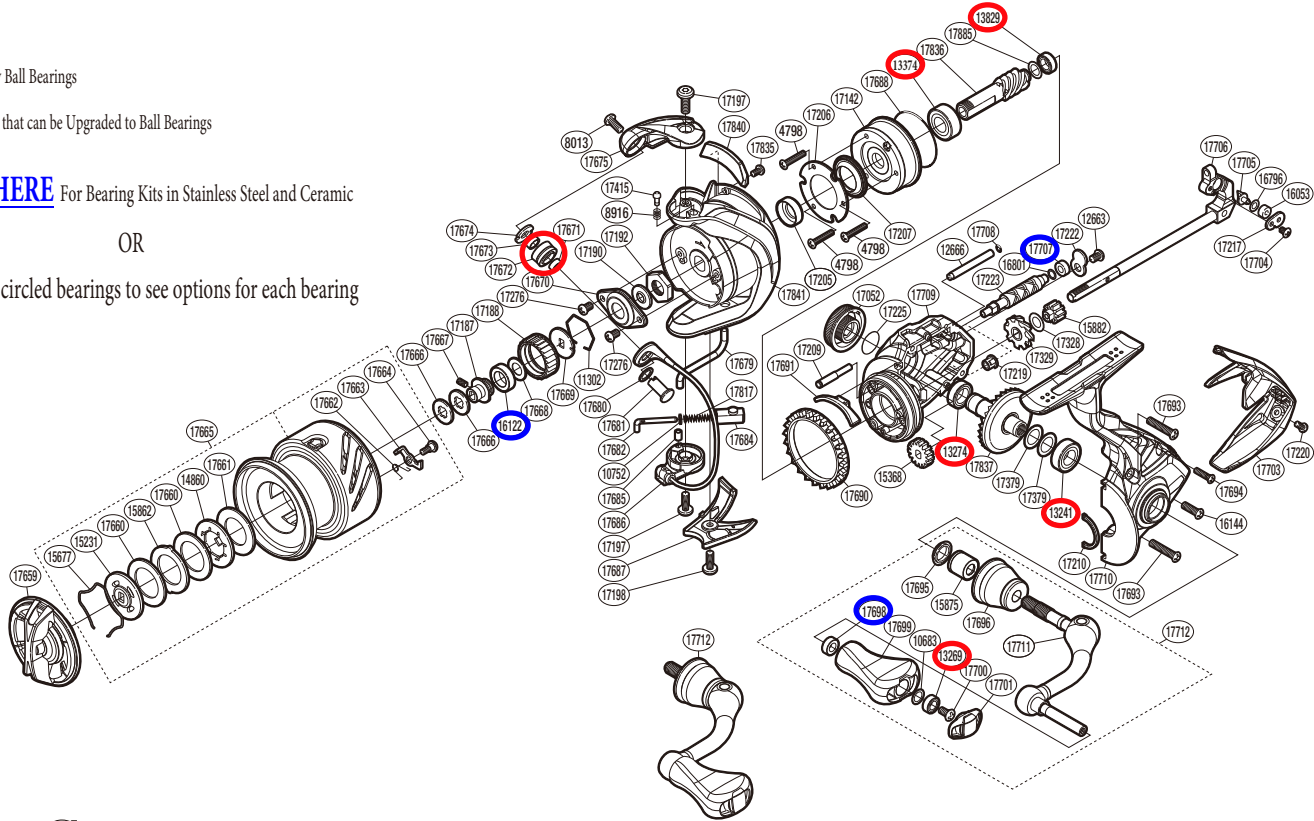
### LEGEND

- Factory Ball Bearings
- Bushes that can be Upgraded to Ball Bearings

[CLICK HERE](#) For Bearing Kits in Stainless Steel and Ceramic

OR

Click on the circled bearings to see options for each bearing



Please note that the number of adjusting washers may not be the same as shown in the exploded views. (Adjustment will vary with each individual product.)

(51SE792602X)

Part No.	Description	Part No.	Description	Part No.	Description
RD 4798	Screw	RD17207	Roller Clutch Water Proof	RD17682	Bail Spring Guide A
RD 8013	Screw	RD17209	Idle Gear B Shaft	RD17684	Bail Spring Seat
RD 8916	Click Spring	RD17210	Flange Water Proof	RD17685	Bail Spring Guide A Bush
RD10683	Washer	RD17217	Oscillating Pawl Cover	RD17686	Bail Assembly
RD10752	Spring Guide A Support	RD17219	Worm Bushing (Front)	RD17687	Bail Hold Support Guard
RD11302	Ratchet Spring	RD17220	Screw	RD17688	O Ring
RD12663	Screw	RD17222	Worm Shaft Retainer	RD17690	Friction Ring
RD12666	Oscillating Guide A	RD17223	Worm Shaft	RD17691	Bail Trip Strike
RD13241	Ball Bearing	RD17225	O Ring	RD17693	Screw
RD13269	Ball Bearing	RD17276	Screw	RD17694	Screw
RD13274	Ball Bearing	RD17328	Washer	RD17695	Handle Shaft Seal
RD13829	Ball Bearing	RD17329	Idle Gear B (Large)	RD17696	Handle Shaft Cover
RD14860	Key Washer	RD17379	Washer	RD17698	Handle Knob Bushing
RD15231	Key Washer	RD17415	Click Pin	RD17699	Handle Knob
RD15368	Idle Gear	RD17659	Drag Knob	RD17700	Screw
RD15677	Drag Washers Retainer	RD17660	Drag Washer	RD17701	Handle Knob Seal
RD15862	Eared Washer	RD17661	Drag Washer	RD17703	Rear Protector
RD15875	Handle Shaft Cover B	RD17662	Drag Click Spring	RD17704	Screw
RD15882	Idle Gear B (Small)	RD17663	Drag Click	RD17705	Oscillating Pawl
RD16053	Oscillating Slider Bushing	RD17664	Screw	RD17706	Main Shaft Assembly
RD16122	Spool Bushing	RD17665	Spool Assembly	RD17707	Worm Bushing
RD16144	Screw	RD17666	Spool Washer	RD17708	O Ring
RD16796	Spacer	RD17667	Set Screw	RD17709	Body
RD16801	Washer	RD17668	Washer	RD17710	Side Cover
RD17052	Handle Screw Cap	RD17669	Spool Support	RD17711	Handle Shank Assembly
RD17142	Roller Clutch Assembly	RD17670	Rotor Nut Lock Plate	RD17712	Handle Assembly
RD17187	Bearing Bushing	RD17671	Bearing Spacer	RD17817	Bail Spring
RD17188	Drag Click Ratchet	RD17672	Line Roller	RD17835	Screw
RD17190	Bearing Water Proof	RD17673	Bearing Spacer	RD17836	Pinion Gear
RD17192	Rotor Nut	RD17674	Line Roller Plate	RD17837	Drive Gear
RD17197	Screw	RD17675	Bail Arm	RD17840	Counterweight Cover Assembly
RD17198	Screw	RD17679	Bail Trip Lever	RD17841	Rotor
RD17205	Rotor Ring	RD17680	Washer	RD17885	Washer
RD17206	Roller Clutch Reinforce	RD17681	Line Roller Support	RD17886	Ball Bearing