

SHIMANO®

TORSA

PLAIG BEARINGS

PLAIG.COM.AU

TS-16

[CLICK HERE](#) For Bearing Kits in Stainless Steel and Ceramic

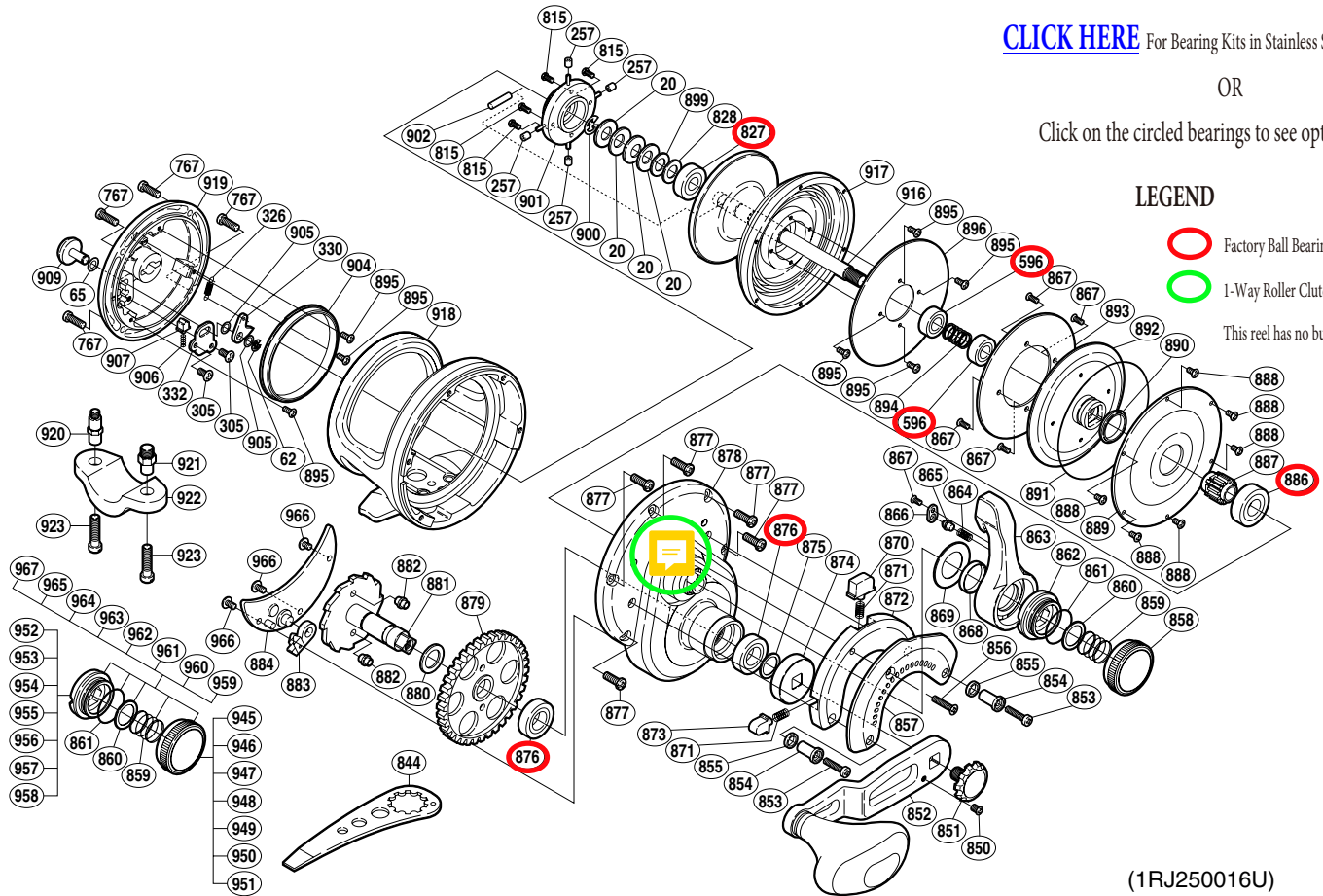
OR

Click on the circled bearings to see options for each

LEGEND

-  Factory Ball Bearings
-  1-Way Roller Clutch Bearing

This reel has no bushes that can be upgraded



(1RJ250016U)

| Part No. | Description | Part No. | Description | Part No. | Description |
|----------|------------------------|----------|--------------------------|----------|---|
| TGT0020 | Coned Disc Spring | TGT0872 | Right Side Plate B | TGT0918 | One-Piece Frame |
| TGT0062 | E Lock | TGT0873 | Free Spool Detent | TGT0919 | Left Side Plate |
| TGT0065 | Spacer | TGT0874 | Gear Shaft Shield | TGT0966 | Screw |
| TGT0257 | Brake Collar (blue) | TGT0875 | Washer | | |
| TGT0305 | Screw | TGT0876 | Ball Bearing | TGT0920 | Rod Clamp Nut A (accessory) |
| TGT0326 | Click Pawl Spring | TGT0877 | Screw | TGT0921 | Rod Clamp Nut B (accessory) |
| TGT0330 | Click Pawl | TGT0878 | Right Side Plate | TGT0922 | Rod Clamp (accessory) |
| TGT0332 | Click Spring Retainer | TGT0879 | Drive Gear | TGT0923 | Rod Clamp Bolt (accessory) |
| TGT0596 | Ball Bearing | TGT0880 | Washer | TGT0844 | Wrench (accessory) |
| TGT0767 | Screw | TGT0881 | Anti-Reverse Ratchet | | |
| TGT0815 | Screw | TGT0882 | Anti-Reverse Ratchet Pin | | |
| TGT0827 | Ball Bearing | TGT0883 | Anti-Reverse Pawl | TGT0945 | Pre-Program Dial (LLS 6) (accessory) |
| TGT0828 | Bearing Thrust Washer | TGT0884 | Set Plate | TGT0946 | Pre-Program Dial (LLS12) (accessory) |
| TGT0850 | Screw | TGT0886 | Ball Bearing | TGT0947 | Pre-Program Dial (BFS20) (accessory) |
| TGT0851 | Handle Bolt | TGT0887 | Pinion Gear | TGT0948 | Pre-Program Dial (BFS50) (accessory) |
| TGT0852 | Handle | TGT0888 | Screw | TGT0949 | Pre-Program Dial (WMS) (accessory) |
| TGT0853 | Screw | TGT0889 | Cooling Shield | TGT0950 | Pre-Program Dial (KFS) (accessory) |
| TGT0854 | Screw Shield | TGT0890 | Waterproof Ring | TGT0951 | Pre-Program Dial (CFS) (accessory) |
| TGT0855 | Quadrant Support | TGT0891 | O Ring | | |
| TGT0856 | Screw | TGT0892 | Pinion Guard | TGT0952 | Lever Shaft Body (LLS 6) (accessory) |
| TGT0857 | Lever Quadrant | TGT0893 | Drag Plate | TGT0953 | Lever Shaft Body (LLS12) (accessory) |
| TGT0858 | Pre-Program Dial (LRS) | TGT0894 | Pressure Release Spring | TGT0954 | Lever Shaft Body (BFS20) (accessory) |
| TGT0859 | Dial Spring | TGT0895 | Screw | TGT0955 | Lever Shaft Body (BFS50) (accessory) |
| TGT0860 | Washer | TGT0896 | Drag Washer | TGT0956 | Lever Shaft Body (WMS) (accessory) |
| TGT0861 | O Ring | TGT0899 | Washer | TGT0957 | Lever Shaft Body (KFS) (accessory) |
| TGT0862 | Lever Shaft Body (LRS) | TGT0900 | E Lock | TGT0958 | Lever Shaft Body (CFS) (accessory) |
| TGT0863 | Drag Control Lever | TGT0901 | Click Gear Support | | |
| TGT0864 | Yoke Spring | TGT0902 | Cross Pin | TGT0959 | Quick Change Cam Assembly (LLS 6) (accessory) |
| TGT0865 | Lever Click | TGT0904 | Brake Ring | TGT0960 | Quick Change Cam Assembly (LLS12) (accessory) |
| TGT0866 | Lever Click Cover | TGT0905 | Spacer | TGT0961 | Quick Change Cam Assembly (BFS20) (accessory) |
| TGT0867 | Screw | TGT0906 | Click Spring | TGT0962 | Quick Change Cam Assembly (BFS50) (accessory) |
| TGT0868 | Lever Thrust Ring | TGT0907 | Click Spring Holder | TGT0963 | Quick Change Cam Assembly (WMS) (accessory) |
| TGT0869 | Washer | TGT0909 | Click Button | TGT0964 | Quick Change Cam Assembly (KFS) (accessory) |
| TGT0870 | Strike Stop | TGT0916 | Main Shaft | TGT0965 | Quick Change Cam Assembly (CFS) (accessory) |
| TGT0871 | Pressure Spring | TGT0917 | Spool | TGT0967 | Quick Change Cam Assembly (LRS) (accessory) |

(170414)