

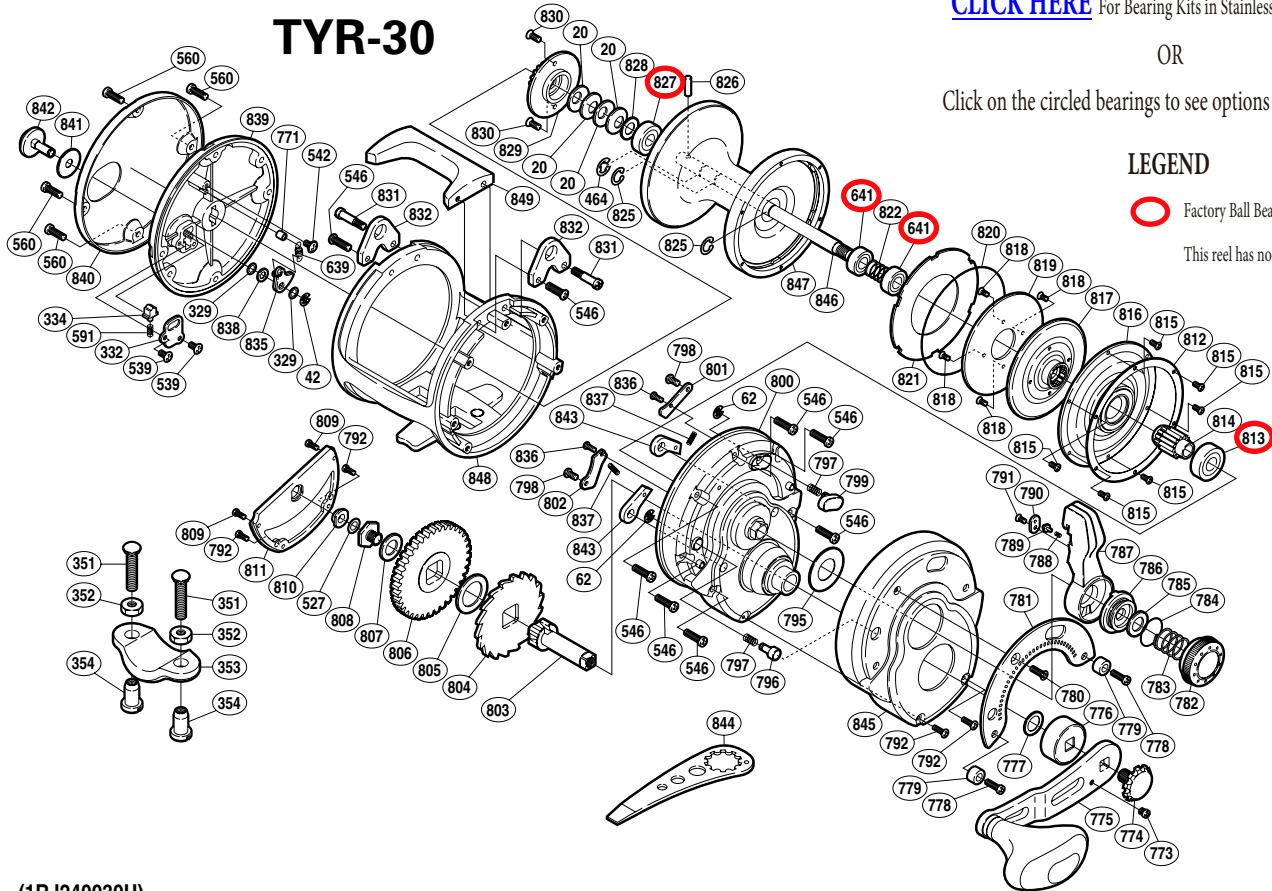
# SHIMANO®

## TYRNOS

# PLAIG BEARINGS

PLAIG.COM.AU

### TYR-30



[CLICK HERE](#) For Bearing Kits in Stainless Steel and Ceramic

OR

Click on the circled bearings to see options for each bearing

#### LEGEND

 Factory Ball Bearings

This reel has no bushes that can be upgraded

(1RJ240030U)

Part No.	Description	Part No.	Description	Part No.	Description
TGT0020	Coned Disc Spring	TGT0788	Lever Click Shoe	TGT0821	Drag Washer
TGT0042	E Lock	TGT0789	Lever Click	TGT0822	Pressure Release Spring
TGT0062	E Lock	TGT0790	Lever Click Cover	TGT0825	C Lock
TGT0329	Spacer	TGT0791	Screw	TGT0826	Cross Pin
TGT0332	Click Spring Retainer	TGT0792	Screw	<b>TGT0827</b>	<b>Ball Bearing</b>
TGT0334	Click Spring Holder	TGT0795	Lever Thrust Ring	TGT0828	Bearing Thrust Washer
TGT0464	E Lock	TGT0796	Free Spool Detent	TGT0829	Click Gear
TGT0527	Spacer	TGT0797	Pressure Spring	TGT0830	Screw
TGT0539	Screw	TGT0798	Screw	TGT0831	Harness Lug Screw
TGT0542	Screw	TGT0799	Strike Stop	TGT0832	Harness Lug
TGT0546	Screw	TGT0800	Right Side Plate	TGT0835	Click Pawl
TGT0560	Screw	TGT0801	Anti-Reverse Pawl Keeper A	TGT0836	Screw
TGT0591	Click Spring	TGT0802	Anti-Reverse Pawl Keeper B	TGT0837	Anti-Reverse Pawl Spring
TGT0639	Click Pawl Spring	TGT0803	Drive Shaft	TGT0838	Spacer
<b>TGT0641</b>	<b>Ball Bearing</b>	TGT0804	Anti-Reverse Ratchet	TGT0839	Left Side Plate
TGT0771	Click Pawl Spring Boss Ring	TGT0805	Anti-Reverse Ratchet Spacer	TGT0840	Left Side Plate Cover
TGT0773	Screw	TGT0806	Drive Gear	TGT0841	Click Button Spacer
TGT0774	Handle Bolt	TGT0807	Drive Gear Spacer	TGT0842	Click Button
TGT0775	Handle	TGT0808	Drive Shaft Screw	TGT0843	Anti-Reverse Pawl
TGT0776	Gear Shaft Shield	TGT0809	Screw	TGT0845	Right Side Plate Cover
TGT0777	Gear Shaft Thrust Washer	TGT0810	Drive Shaft Bushing	TGT0846	Main Shaft
TGT0778	Screw	TGT0811	Right Side Seal	TGT0847	Spool
TGT0779	Screw Shield	TGT0812	Cooling Shield Ring	TGT0848	One-Piece Frame
TGT0780	Screw	<b>TGT0813</b>	<b>Ball Bearing</b>	TGT0849	Cross Bar
TGT0781	Lever Quadrant	TGT0814	Pinion Gear		
TGT0782	Pre-Program Dial	TGT0815	Screw	TGT0351	Rod Clamp Bolt (accessory)
TGT0783	Dial Spring	TGT0816	Cooling Shield	TGT0352	Rod Clamp Nut B (accessory)
TGT0784	O Ring	TGT0817	Pinion Guard	TGT0353	Rod Clamp (accessory)
TGT0785	Drag Cam Washer	TGT0818	Screw	TGT0354	Rod Clamp Nut A (accessory)
TGT0786	Lever Shaft Body	TGT0819	Drag Plate		
TGT0787	Drag Control Lever	TGT0820	O Ring	TGT0844	Wrench (accessory)

(161221)